



Air hydraulic twin ram jacking beam

- 2 individually controlled rams offer safe and balanced lifting
- Transversely sliding rams
- Rapid and precise air hydraulic unit with high speed ram travel
- Simple modern design with control panel at ergonomical working height
- Can be made to fit all lifts due to its adjustable frame (590 - 890 mm or 850 - 1150 mm)
- Frame height is adjusted and set to the customers individual specifications
- Hold to run release and safety overload valve for optimum safety
- Supplied with 2 x 100mm extensions + 2 x flat adapters
- Also available in single ram version



Heavy Duty jacking beams

JB 70 - 2 JB 120 - 2

JB 80 - 2 JB 160 - 2

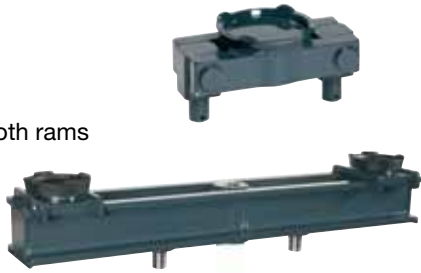
JB 200 - 2

Capacity 7 / 8 / 12 / 16 / 20 t

Options:

Diff. beam

For lifting with both rams
at one point.



Crossbeam adapter

Capacity 15,0 tons, adjustable 125-750 mm
Total length 902 mm, height 136 mm

Trolley



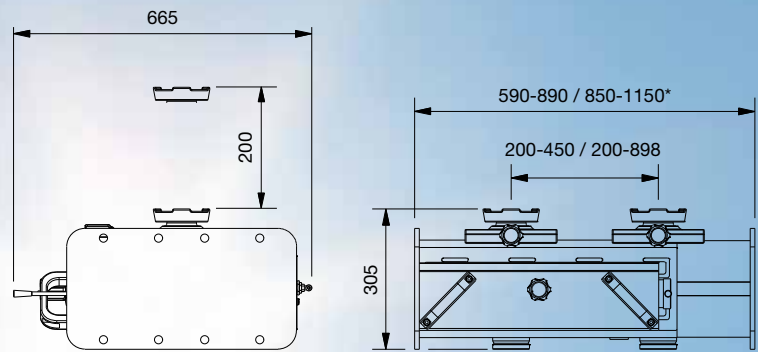
Extensions

100 mm, 200 mm

Adapters

U-shape

V-shape



* dimensions excluding support arms

	JB70-2	JB80-2	JB120-2	JB160-2	JB200-2
Capacity	7 t	8 t	12 t	16 t	20 t
Stroke	200 mm	200 mm	200 mm	200 mm	200 mm
Min. height	305 mm	305 mm	305 mm	305 mm	305 mm
Max. height	505 mm	505 mm	505 mm	505 mm	505 mm
Width range small frame	n.a	590-890	590-890	590-890	590-890
Width range wide frame	850-1150	850-1150	850-1150	850-1150	850-1150
Depth	65 mm	665 mm	665 mm	665 mm	665 mm
Lifting points (distance)	200-898 mm	200-898 mm	200-898 mm	200-898 mm	200-898 mm
Air supply	8 - 12 bar	8 - 12 bar	8 - 12 bar	8 - 12 bar	8 - 12 bar
Air consumption	350 l/min	350 l/min	350 l/min	350 l/min	350 l/min
Weight	202 kg	202 kg	202 kg	202 kg	202 kg

* The capacity of the jacking beam cannot exceed 0,66 x the lift capacity

More information?

For more specific information about these products or one of the other quality products from Steril Koni, please contact us for further assistance.

JackingBeams 7-8-12-16-20t / Steril is a registered trademark of Steril B.V.
We reserve the right to make changes in specifications without notice and without making changes retroactive.

For Sales & Service:



(+61 3) 9078 1606

(+61) 433 139 047

www.ikonlifting.com.au